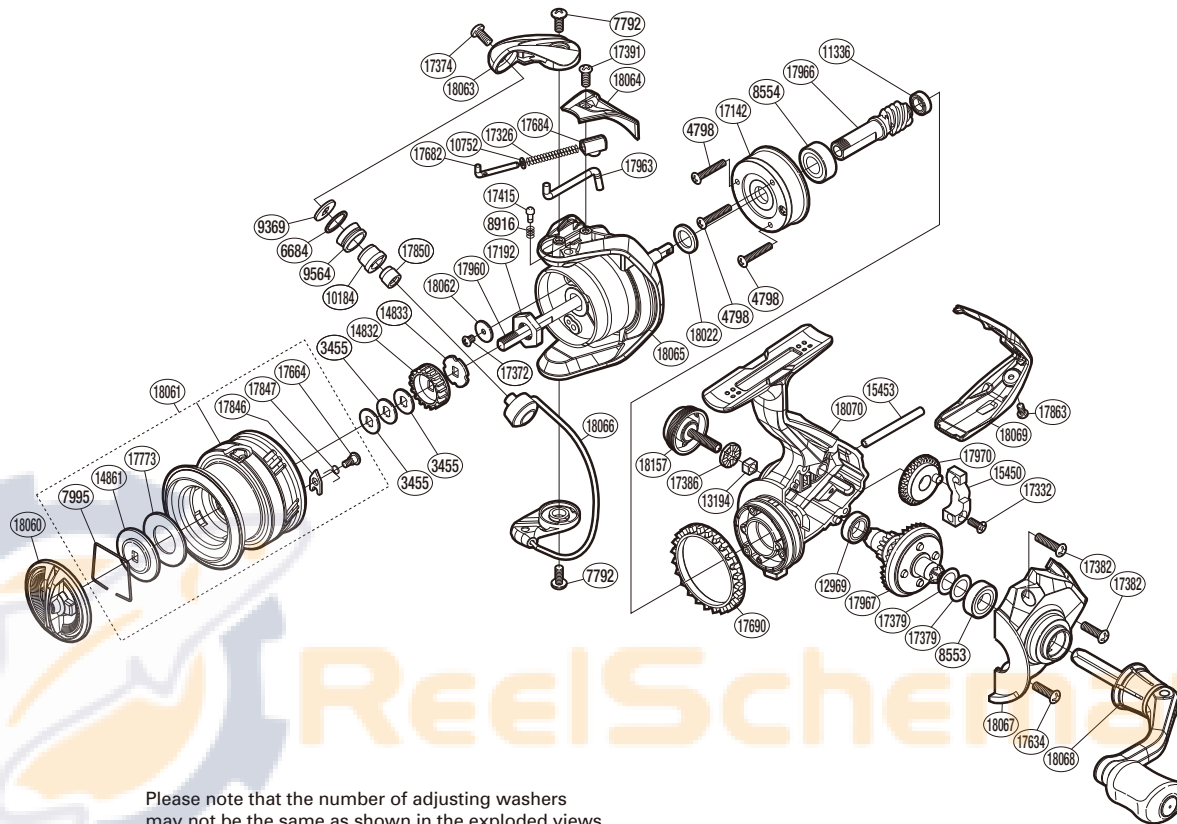


# SHIMANO

## SAHARA

SH-1000FI



Please note that the number of adjusting washers may not be the same as shown in the exploded views. (51SE641005X) (Adjustment will vary with each individual product.)

Part No.	Description	Part No.	Description	Part No.	Description
RD 3455	Spool Washer	RD17142	Roller Clutch Assembly	RD17863	Screw
RD 4798	Screw	RD17192	Rotor Nut	RD17960	Main Shaft
RD 6684	Line Roller Spacer	RD17326	Bail Spring	RD17963	Bail Trip Lever
RD 7792	Screw	RD17332	Screw	RD17966	Pinion Gear
RD 7995	Drag Washer Retainer	RD17372	Screw	RD17967	Drive Gear
RD 8553	Ball Bearing	RD17374	Screw	RD17970	Oscillating Gear
RD 8554	Ball Bearing	RD17379	Washer	RD18022	Washer
RD 8916	Click Spring	RD17382	Screw	RD18060	Drag Knob
RD 9369	Line Roller Washer	RD17386	Handle Screw Cap Spacer	RD18061	Spool Assembly
RD 9564	Line Roller	RD17391	Screw	RD18062	Washer
RD10184	Line Roller Bushing	RD17415	Click Pin	RD18063	Bail Arm
RD10752	Bail Spring Guide A Support	RD17634	Screw	RD18064	Bail Spring Cover
RD11336	Ball Bearing	RD17664	Screw	RD18065	Rotor
RD12969	Ball Bearing	RD17682	Bail Spring Guide	RD18066	Bail Assembly
RD13194	Handle Screw Lock	RD17684	Bail Spring Seat	RD18067	Side Cover
RD14832	Spool Support A	RD17690	Friction Ring	RD18068	Handle Assembly
RD14833	Spool Support B	RD17773	Drag Washer	RD18069	Rear Protector
RD14861	Key Washer	RD17846	Drag Click	RD18070	Body
RD15450	Oscillating Slider	RD17847	Drag Click Spring	RD18157	Handle Screw Cap
RD15453	Oscillating Guide	RD17850	Line Roller Collar		